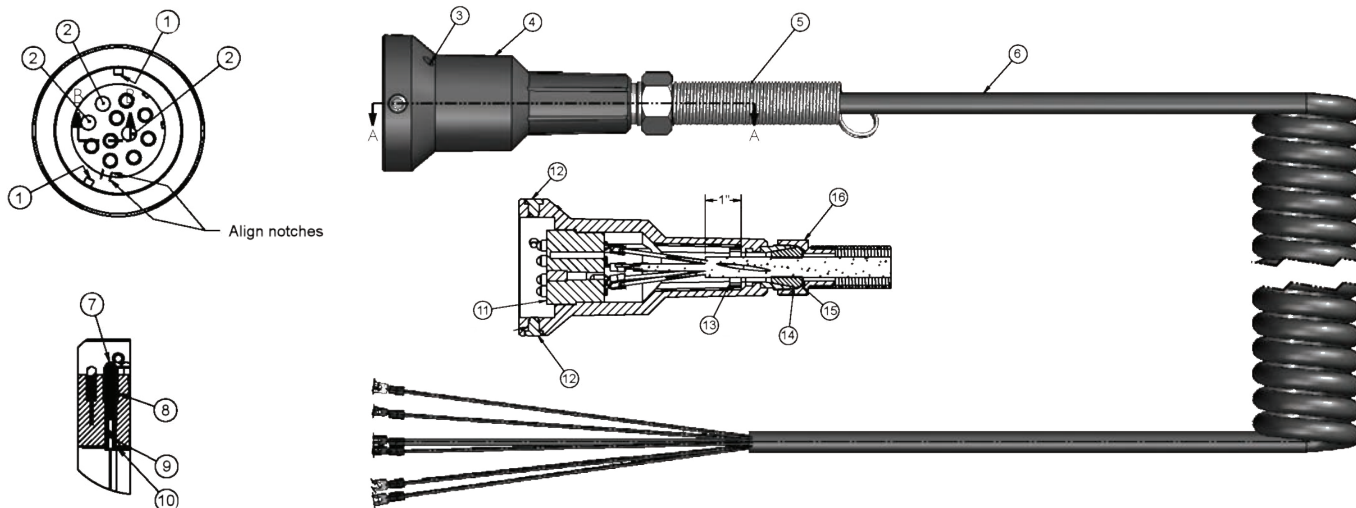


Rack Cords



Bill of Materials

Item #	Description	Part #	FT600	FT600C	FT600S	FT600SC	FT620	FT620S
1	bayonet stud	10718SS	2	4	2	4	3	3
2	plastic black pin insert	BLACK BUTTON INSERT	3	1	3	1	5	5
3	stainless screw	10717SS	1	1	1	1	5	1
4A	green "thermistor" glass reinforced nylon plug body	10523NY-004	1	1	1	1	n/a	n/a
4B	blue "optic" glass reinforced nylon plug body	10523NY-003	n/a	n/a	n/a	n/a	1	1
5	stainless, cable bend restrictor spring	10250	1	1	1	1	1	1
6A	thermistor cable assembly 30' coiled (US)	10259	1	n/a	n/a	n/a	n/a	n/a
6B	thermistor cable assembly 30' coiled (Canada)	10259-C	n/a	1	n/a	n/a	n/a	n/a
6C	thermistor cable assembly 20' straight (US)	10259-S	n/a	n/a	1	n/a	n/a	n/a
6D	thermistor cable assembly 20' straight (Canada)	10259-CS	n/a	n/a	n/a	1	n/a	n/a
6E	optic cable assembly 30' coiled (US)	10290	n/a	n/a	n/a	n/a	1	n/a
6F	optic cable assembly 30' straight (US)	10290-S	n/a	n/a	n/a	n/a	n/a	1
7	plug pin	10550SS	8	10	8	10	6	6
8	stainless plug spring	10253	8	10	8	10	6	6
9	set screw	10260	8	10	8	10	6	6
10	retaining ring	10252	8	10	8	10	6	6
11	long plastic contact block	10524PL-001	1	1	1	1	1	1
12	aluminum bayonet pin plug	10718PLUG	2	4	2	4	n/a	n/a
13	stainless double ear pinch on clamp	SINGLE1518R	1	1	1	1	1	1
14	cord grip bushing	10715NP	1	1	1	1	1	1
15	cord grip washer	10716ST	1	1	1	1	1	1
16	aluminum strain relief nut	10249	1	1	1	1	1	1

Repair Kits

Part #	Description	Includes Item #
FT601	Replacement thermistor plug assembly, 8 pin 4 J slot (US)	1-4A,5,7-11,14-16
FT601-10	Replacement thermistor plug assembly, 10 pin 4 J slot (Canada)	1-4A,5,7-11,14-16
FT621	Replacement optic plug assembly, 6 pin 3 J slot (US)	1-4B,5,7-11,14-16

Product instruction sheets and technical data can be viewed on our website at dixongroupcanada.com by selecting the 'Resources' menu.