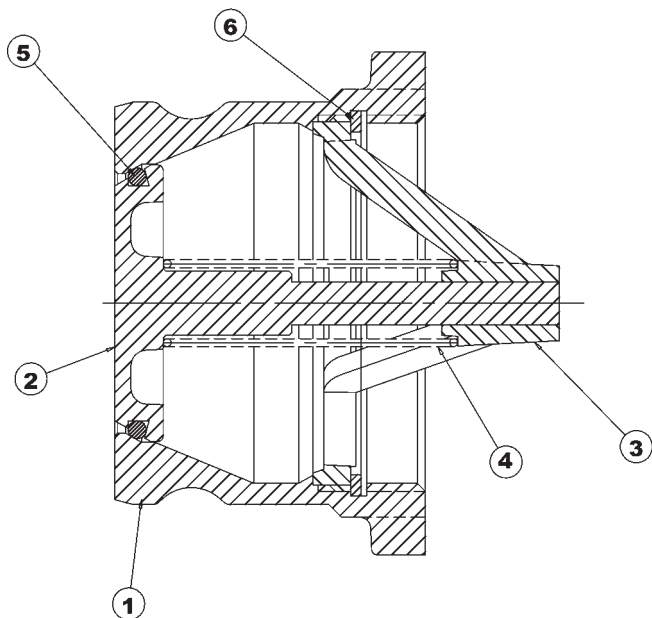


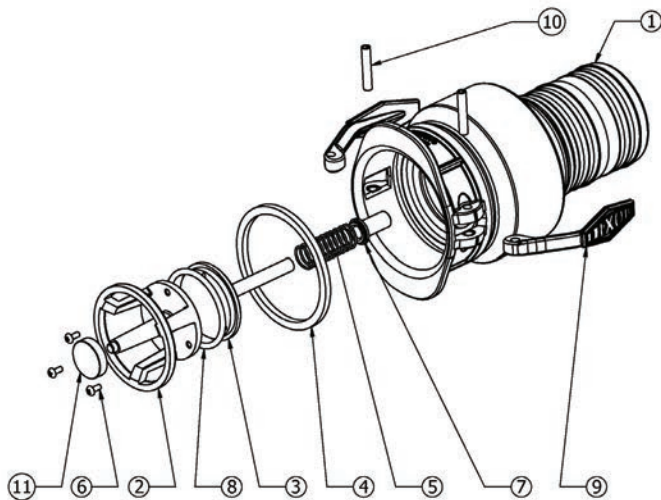
VR4086 Series Vapor Adapters



Bill of Materials

Item #	Description	Part #	Qty
1	body	---	1
2	valve	340331	1
3	valve spider	340304	1
4	spring	110892	1
5	FKM O-ring	O-RING-AS-334	1
6	body gasket	G4000AS	1

VR4040CS-AL Vapor Hose Couplers



Bill of Materials

Item #	Description	Part #	Qty
1	body	341818	1
2	cage	341819	1
3	poppet	341820	1
4	gasket	112262	1
5	spring	112263	1
6	screw	112264	3
7	bushing	VR6000-3	1
8	FKM O-ring	O-RING-AS-334	1
9	stainless paddle arm	40215SS	2
10	cam arm pin	40218SS	2
11	button	391860	1

Repair Kits

Part #	Description	Includes Item #
VR4040CSRK1	cam arms and pins	9, 10
VR4040CSRK2	main gasket, poppet O-ring, screws	2, 5, 8

Petroleum
Replacement Parts

Product instruction sheets and technical data can be viewed on our website at dixongroupcanada.com by selecting the 'Resources' menu.