


Bayloc™ Dry Disconnect Couplings

Couplers

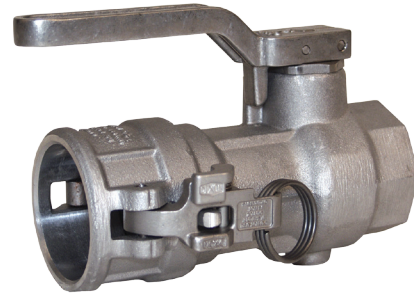
Features:

- dry disconnect coupler has automatic closing poppet assembly
- heavy duty stainless steel crank and link provide long service life
- stainless steel investment cast handle
- strong handle attachment prevents bending of crank assembly
- fully interchangeable with Kamvalok (OPW trademark) style fittings
- aluminum fittings have stainless steel¹ internals
- EZ Boss-Lock™ cam arms standard on all 1½" and 2" fittings, provide high security from accidental opening due to vibration or snagging
- large paddle type locking cam arms standard on 3" fittings, allow for an easy grip
- for information on repair kits visit us on-line at dixonvalve.com
- **greaseless couplers are available in every style and configuration, please call Dixon® for quote**

Must be used with a DBA style adapter for coupler to operate. Adapter sold separately. (see pages 4-5) 



coupler x female NPT - DBC61-300



coupler x female NPT - DBC71-200

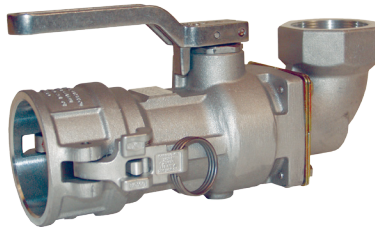
coupler x female NPT

Female NPT Size	Coupler Size	Seal Material	Aluminum		Stainless Steel ¹	
			Dixon® #	OPW #	Dixon® #	OPW #
1½"	2"	Buna	DBC61-150	1711D-AL15/1761	DBC71-150	1771D-SS15
2"	2½"		DBC61-200	1711D-AL20/1761	DBC71-200	1771D-SS20
3"	4"		DBC61-300	1711D-AL30	DBC71-300	1771D-SS30
1½"	2"	FKM	DBC62-150	1712D-AL15/1762	DBC72-150	1772D-SS15
2"	2½"		DBC62-200	1712D-AL20/1762	DBC72-200	1772D-SS20
3"	4"		DBC62-300	1712D-AL30	DBC72-300	1772D-SS30
1½"	2"	PTFE Encap. Silicone and FFPM	DBC63-150	1763D-AL15	DBC73-150	1773D-SS15
2"	2½"		DBC63-200	1763D-AL20	DBC73-200	1773D-SS20
3"	4"		DBC63-300	1763D-AL30	DBC73-300	1773D-SS30
1½"	2"	EPT	DBC64-150	1764D-AL15	DBC74-150	1774D-SS15
2"	2½"		DBC64-200	1764D-AL20	DBC74-200	1774D-SS20
3"	4"		DBC64-300	1764D-AL30	DBC74-300	1774D-SS30
1½"	2"	FFPM and PTFE ²	---	---	DBC76-150	1776D-SS15
2"	2½"		DBC66-200	1766D-AL20	DBC76-200	1776D-SS20
3"	4"		---	---	DBC76-300	1776D-SS30
1½"	2"	PTFE Encap. FKM and FFPM	---	---	DBC77-150	1777D-SS15
2"	2½"		---	---	DBC77-200	1777D-SS20
3"	4"		---	---	DBC77-300	1777D-SS30
3"	4"	FKM B	DBC69-300	1769D-AL30	DBC79-300	1779D-SS30

¹ stainless steel corrosion resistance is equivalent to 304 stainless steel

² FFPM gasket, main seal O-ring and handle O-ring. PTFE seals on cylinder assembly, stuffing box, and seal under poppet screw.

Bayloc™ Dry Disconnect Couplings



coupler x 90° swivel female NPT - DSB61-200

coupler x 90° swivel female NPT

Female NPT Size	Coupler Size	Seal Material	Aluminum	
			Dixon® #	OPW #
2"	2½"	Buna	DBS61-200	1711ES-0200
2"	2½"	FKM	DBS62-200	1712ES-0200
2"	2½"	PTFE Encap. Silicone and FFPM	DBS63-200	---

Dust Plugs for Couplers

Coupler Size ¹	Aluminum	Stainless Steel
2"	G200-DP-AL	G200-DP-SS
2½"	G250-DP-AL	G250-DP-SS
4"	G400-DP-AL	G400-DP-SS

¹ refer to coupler size column in appropriate chart



dust plug - G200-DP-AL



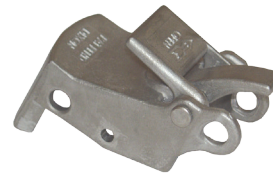
dust plug - G200-DP-SS

Locking Kit for Couplers

Feature:

- prevents unintentional opening of poppet assembly

Description	Aluminum
for use with 1½" and 2" cam and groove couplers	DBCL-200
for use with 3" cam and groove couplers	DBCL-300



locking kit - DBCL-200

Bayloc™ Dry Disconnect Couplings

Adapters

Applications: Compatible with most cam and groove style dry disconnects, the Bayco™ dry disconnect helps prevent spillage from normal or accidental disconnects. A spring loaded sealing device is designed to "snap" closed should the valve become disconnected with the poppet open, significantly limiting liquid loss.

Features:

- two-piece design for easy rebuilding of adapters
- fully interchangeable with Kamvalok (OPW trademark) style fittings
- aluminum fittings have aluminum nose piece and brass piston
- for information on repair kits visit us on-line at dixonvalve.com



adapter x female NPT - DBA11-300



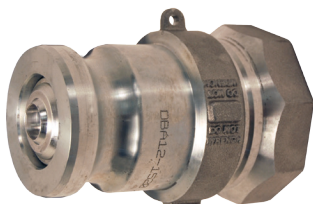
adapter x female NPT - DBA71-200

adapter x female NPT

Female NPT Size	Seal Material	Max PSI @ 70°F (21°C)	Aluminum Part #	Zinc/Aluminum Part #	Competitor Part #	Stain. Steel ¹ Part #	Competitor Part #	Cam & Groove Dust Cap Size
1½"	Buna	210	-	DBA11-150	1611AN-AL15	DBA71-150	1671AN-SS15	2"
2"		150	DBA61-200	DBA11-200	1611AN-AL20	DBA71-200	1671AN-SS20	2½"
3"		120	-	DBA11-300	1611AN-AL30	DBA71-300	1671AN-SS30	4"
1½"	FKM	210	-	DBA12-150	1612AN-AL15	DBA72-150	1672AN-SS15	2"
2"		150	DBA62-200	DBA12-200	1612AN-AL20	DBA72-200	1672AN-SS20	2½"
3"		120	-	DBA12-300	1612AN-AL30	DBA72-300	1672AN-SS30	4"
1½"	PTFE Encapsulated Silicone	210	DBA63-150	-	1613AN-AL15	DBA73-150	1673AN-SS15	2"
2"		150	DBA63-200	-	1613AN-AL20	DBA73-200	1673AN-SS20	2½"
3"		120	DBA63-300	-	1613AN-AL30	DBA73-300	1673AN-SS30	4"
1½"	EPT (EPDM)	210	DBA64-150	-	1614AN-AL15	DBA74-150	1674AN-SS15	2"
2"		150	DBA64-200	-	1614AN-AL20	DBA74-200	1674AN-SS20	2½"
3"		120	DBA64-300	-	1614AN-AL30	DBA74-300	1674AN-SS30	4"
1½"	Kalrez®	210	DBA66-150	-	1616AN-AL15	DBA76-150	1676AN-SS15	2"
2"		150	DBA66-200	-	1616AN-AL20	DBA76-200	1676AN-SS20	2½"
3"		120	DBA66-300	-	1616AN-AL30	DBA76-300	1676AN-SS30	4"
1½"	PTFE Encapsulated FKM	210	DBA67-150	-	1617AN-AL15	DBA77-150	1677AN-SS15	2"
2"		150	DBA67-200	-	1617AN-AL20	DBA77-200	1677AN-SS20	2½"
3"		120	DBA67-300	-	1617AN-AL30	DBA77-300	1677AN-SS30	4"
2"	FKM-GFLT	150	-	-	-	DBA78-200	-	2½"
3"	FKM B	120	DBA69-300	-	1619AN-AL30	DBA79-300	1679AN-SS30	4"

¹ stainless steel corrosion resistance is equivalent to 304 stainless steel

jump size adapter x female NPT

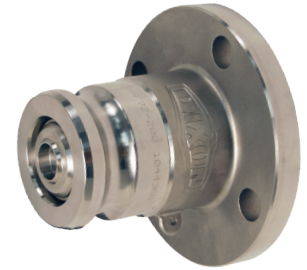


Female NPT Size	Adapter Size	Seal Material	Aluminum
			Dixon® #
2"	2"	Buna	DBA11-1520
2"	2"	FKM	DBA12-1520

Bayloc™ Dry Disconnect Couplings Adapters

adapter x 150# ASA flange

Flange Size	Adapter Size	Seal Material	Stainless Steel ¹	
			Dixon® #	OPW #
2"	2"	FKM	DBAF72-1520	1672ANF-SS15
2"	2½"		DBAF72-200	1672ANF-SS20
3"	4"		DBAF72-300	1672ANF-SS30
2"	2"	PTFE Encap. Silicone	DBAF73-1520	1673ANF-SS15
2"	2½"		DBAF73-200	1673ANF-SS20
3"	4"		DBAF73-300	1673ANF-SS30
2"	2"	EPT	DBAF74-1520	1674ANF-SS15
2"	2½"		DBAF74-200	1674ANF-SS20
3"	4"		DBAF74-300	1674ANF-SS30
2"	2"	FFPM	DBAF76-1520	1676ANF-SS15
2"	2½"		DBAF76-200	1676ANF-SS20
3"	4"		DBAF76-300	1676ANF-SS30



adapter x flange - DBAF71-200

¹ stainless steel corrosion resistance is equivalent to 304 stainless steel

vapor adapter x female NPSM

Female NPSM Size	Adapter Size	Seal Material	Stainless Steel ¹	
			Dixon® #	OPW #
3"	2"	PTFE	DBAV73-2030	2173AVN



vapor adapter x female NPSM - DBAV73-2030

¹ stainless steel corrosion resistance is equivalent to 304 stainless steel

Dust Caps for Adapters

Adapter Size ¹	Aluminum	Stainless Steel
2"	G200-DC-AL	G200-DC-SS
2½"	G250-DC-AL	G250-DC-SS
4"	G400-DC-AL	G400-DC-SS



dust cap G200-DC-AL

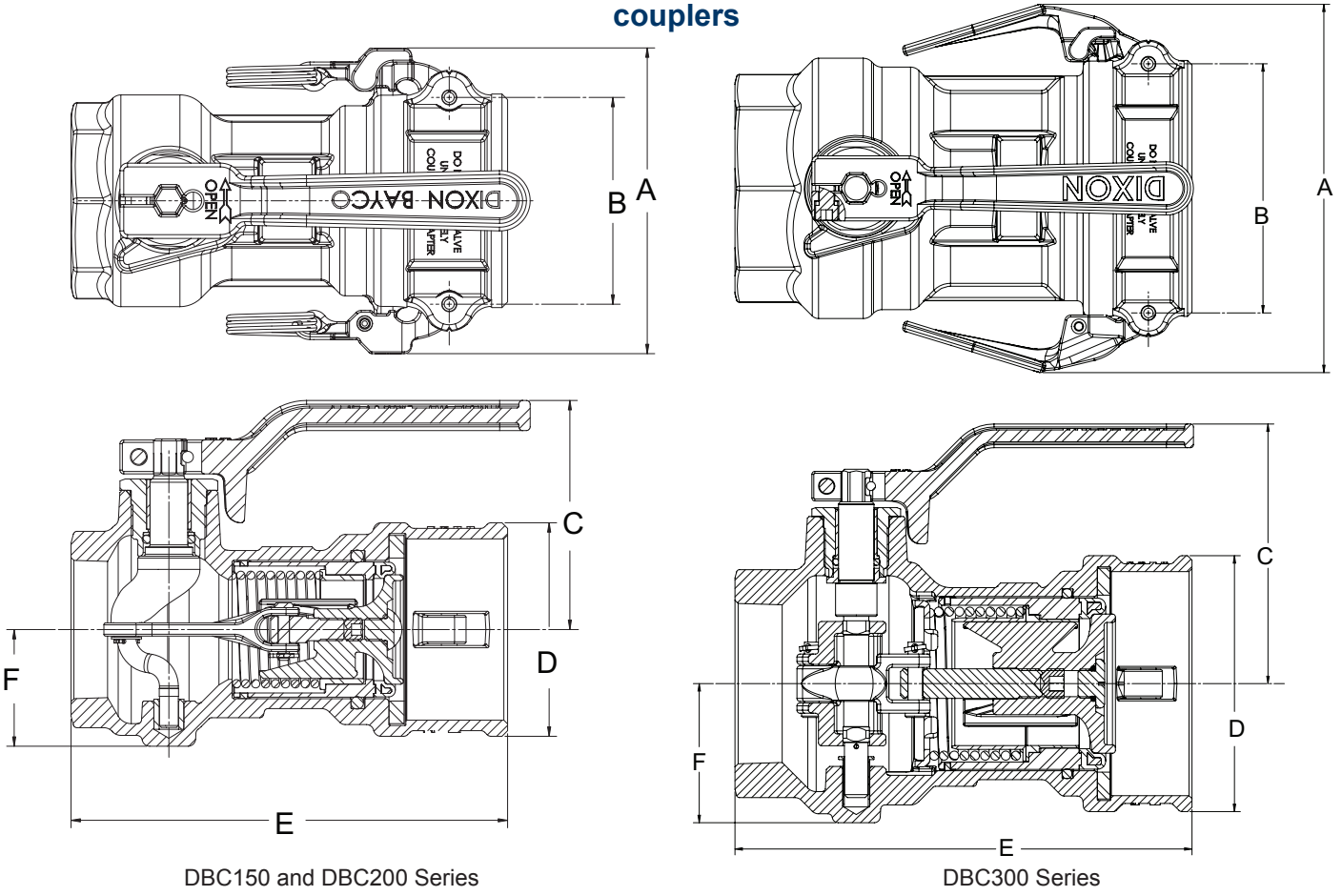


dust cap G200-DC-SS

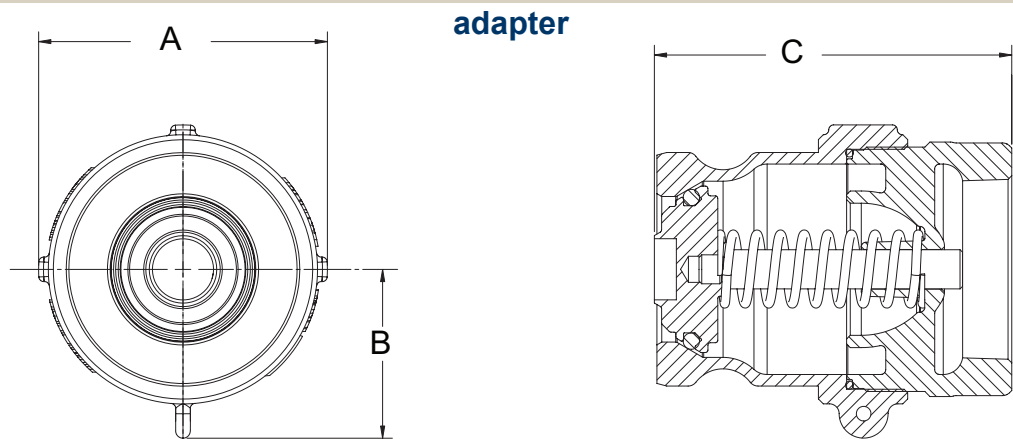
¹ refer to adapter size column in appropriate chart

Bayloc™ Customer Drawings

couplers



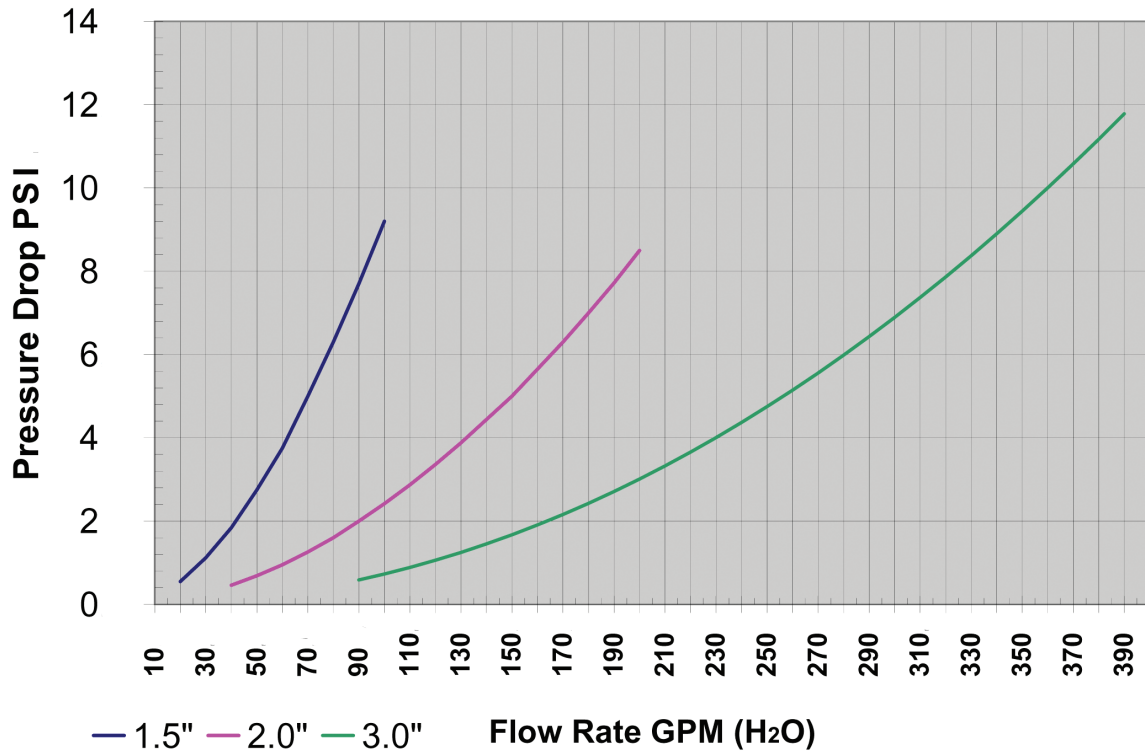
Series	Dimensions					
	A	B	C	D	E	F
DBC150	4-19/32"	2-61/64"	3-39/64"	3-3/64"	7-1/32"	1-45/64"
DBC200	5-5/64"	3-7/16"	3-51/64"	3-35/64"	7-1/4"	1-15/16"
DBC300	7-25/32"	5-17/64"	5-31/64"	5-13/32"	9-21/32"	2-15/16"



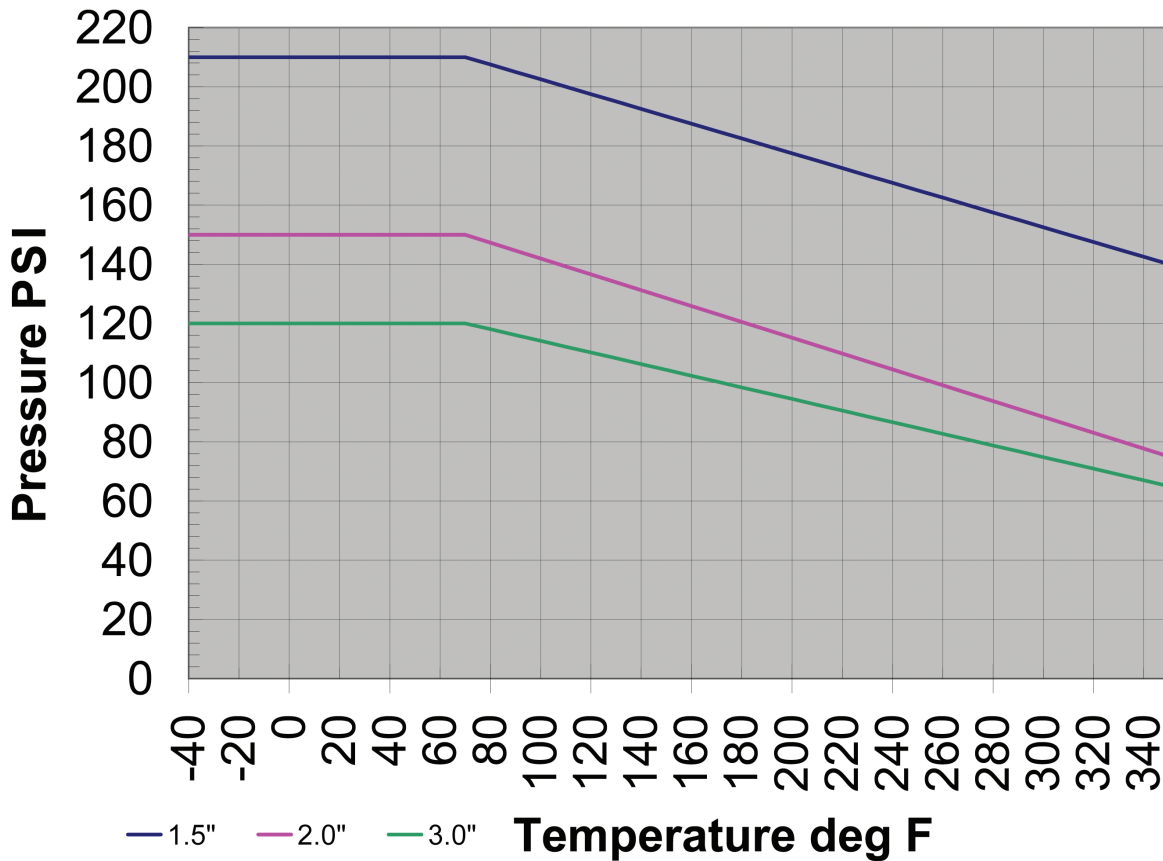
Series	Dimensions		
	A	B	C
DBA150	3-3/16"	1-7/8"	4-17/32"
DBA200	3-11/16"	2-5/32"	4-9/16"
DBA300	5-3/4"	3-3/16"	6-41/64"

Bayloc™ Dry Disconnect Couplings

Flow Chart



Pressure / Temperature Chart



Dixon® is recognized as the premier manufacturer and supplier of hose fittings and accessories spanning a wide range of industrial uses. Dixon®'s range includes products for food, dairy processing, beverage and brewery, mobile tankers, mining, construction, chemical processing, petroleum, oilfields, refining and manufacturing.

dixonvalve.com • Customer Service: 877.963.4966



The Right Connection®

Dixon® Valve

800 High Street, Chestertown, MD 21620

Fax: 800.283.4966

dixonvalve.com



YouTube™



Dixon®
Customer Service

