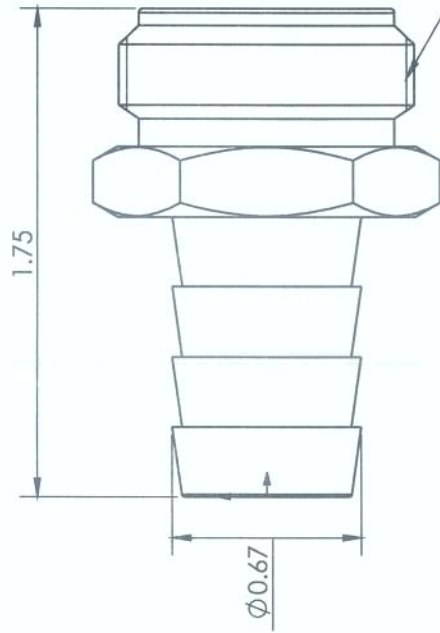
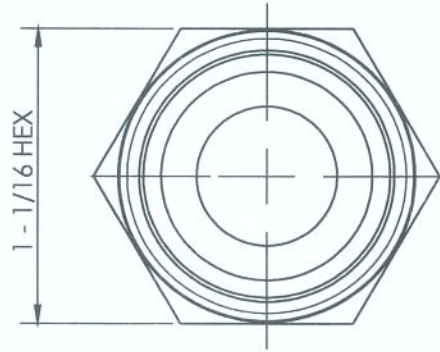
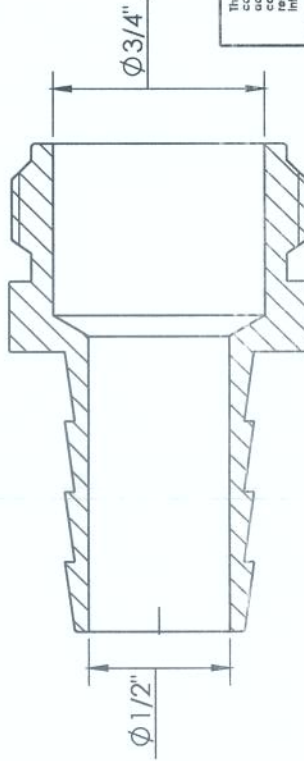


LINE DRAWING NOT FOR PRODUCTION PURPOSES



3/4 - 11 - 1/2 N.H.



MATERIAL 1 - 1/16 HEX ALLOY 360 BRASS

This drawing is owned by Dixon Valve & Coupling Co. and shall be returned upon demand. It is loaned on condition that it shall not be copied or reproduced or submitted to others without the owners consent. In the event of any such copying or reproduction, the recipient shall be held responsible for the same. The recipient shall be liable to the company for the cost of the drawings and for the cost of the reproduction of the drawings. The recipient shall be held responsible for the cost of the reproduction of the drawings if the recipient does not agree to the terms of this agreement they shall return this drawing immediately. The information contained in this drawing is subject to change without notice.

 The Right Connection SM	DATE	12/6/17
	DRAWN	HENRY B.
	APPROVED	
	DATE	
	ECO NO.	

Dixon Brass
Westmont, Illinois USA

DO NOT SCALE THIS DRAWING	
SIZE	DWG. NO.
5/8 MALE	A
GARDEN HOSE (3 BARB)	5851012C
REV	A