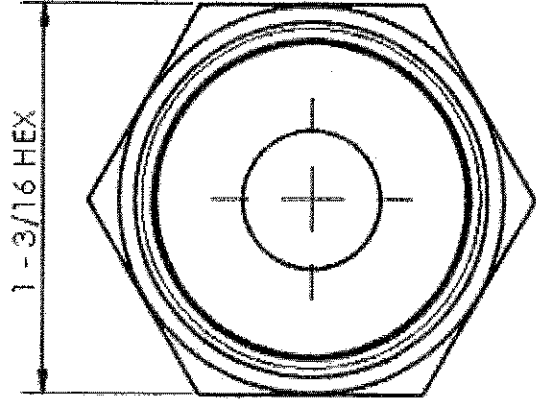
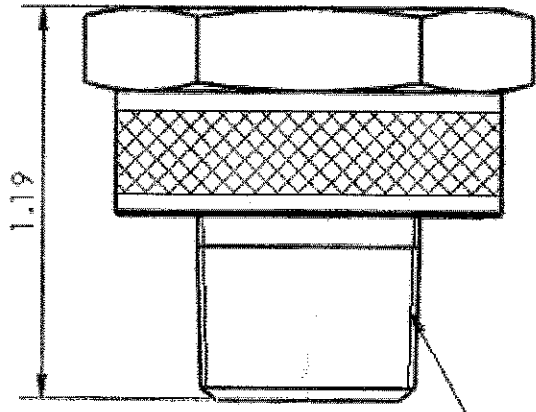
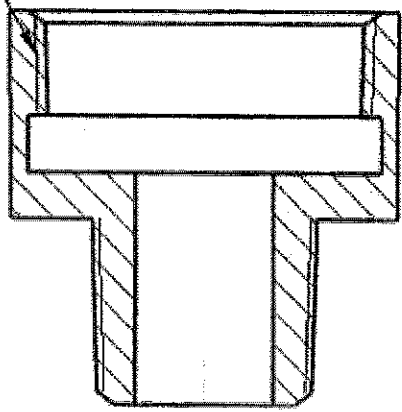


LINE DRAWING NOT FOR PRODUCTION PURPOSES




3/4 - 11 - 1/2 N.H.



MATERIAL 1 - 3/16 HEX ALLOY 360 BRASS

This drawing is owned by Dixon Valve Company, Inc. and is to be returned upon completion. Its use in any condition not intended here is prohibited. Dixon Valve Company, Inc. is not responsible for any errors or omissions in this drawing. It is the responsibility of the user to verify all dimensions and tolerances. This drawing is subject to change without notice.

	DESIGN HENRY B.	DATE 9/1/17
	APPROVED	DATE
Dixon Brass Westmont, Illinois USA		ICC NO.
TITLE: 3/8 NPTF X 3/4 N.H. GH ADAPTER		DO NOT SCALE THIS DRAWING SEE DIMS. NO.
A		5031206C