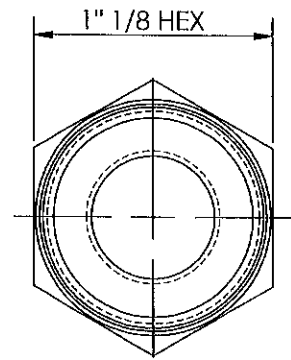
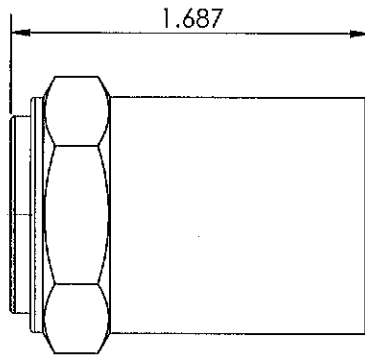
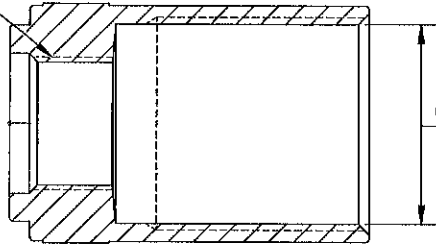


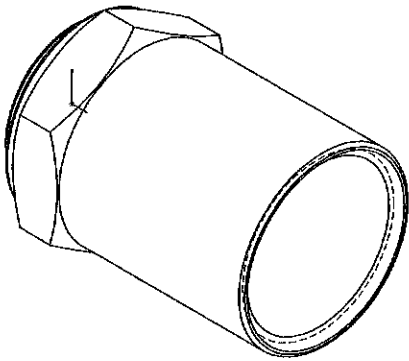
LINE DRAWING NOT FOR PRODUCTION PURPOSES




5/8 -18 UNF-2B  
HOSE I.D. 1/2

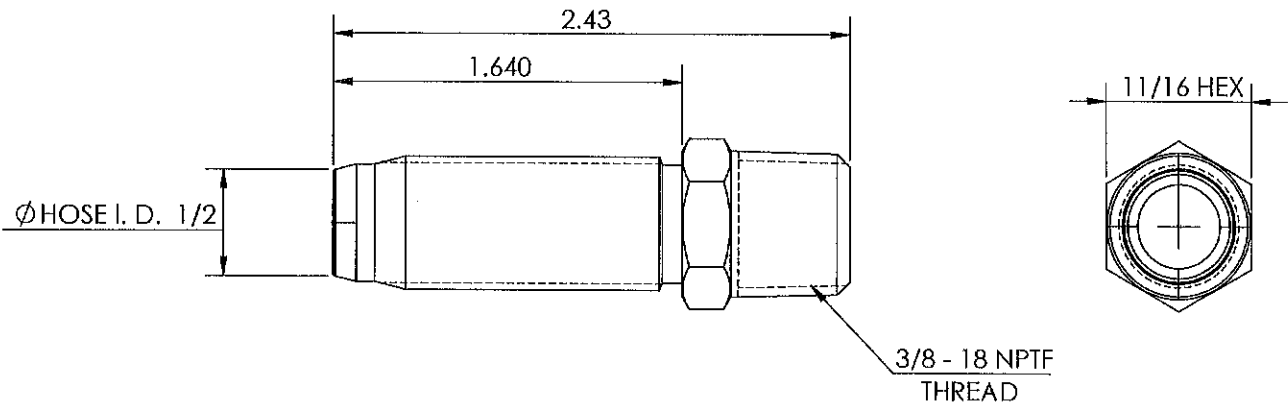


Ø HOSE O.D. 15/16

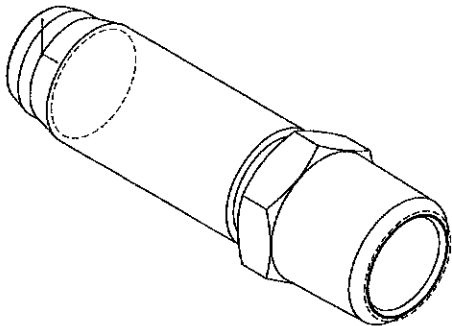
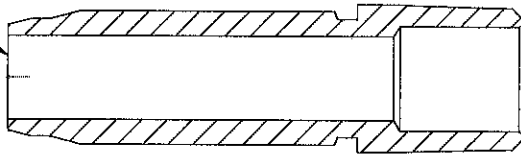



THIS DRAWING CONTAINS INFORMATION DEEMED PROPRIETARY TO DIXON BRASS AND IS TO BE USED ONLY FOR THE PURPOSE FOR WHICH IT IS SUBMITTED, AND FURTHER, SHALL NOT BE COPIED IN WHOLE OR IN PART WITHOUT EXPRESS WRITTEN PERMISSION FIRST OBTAINED FROM DIXON BRASS.			
UNLESS OTHERWISE SPECIFIED:			
DIMENSIONS ARE IN INCHES	 The Right Connection™	DRAWN P. MONAGHAN APPROVED	
TOLERANCES: ANGLES: ±0°30' .X (±.015) .XX (±.010) .XXX (±.005)		DATE 4/20/15 DATE	
DIMENSIONS PER ANSI Y14.5	TITLE: REUSABLE FERRULE	ECO NO.	DRAWING NOT REPRODUCED TO SCALE
	SIZE A	DWG. NO. 1800815F	REV C

LINE DRAWING NOT FOR PRODUCTION PURPOSES



THRU HOLE DIA. .390



THIS DRAWING CONTAINS INFORMATION DEEMED PROPRIETARY TO DIXON BRASS AND IS TO BE USED ONLY FOR THE PURPOSE FOR WHICH IT IS SUBMITTED, AND FURTHER, SHALL NOT BE COPIED IN WHOLE OR IN PART WITHOUT EXPRESS WRITTEN PERMISSION FIRST OBTAINED FROM DIXON BRASS.			
UNLESS OTHERWISE SPECIFIED:			
DIMENSIONS ARE IN INCHES			
TOLERANCES:			
ANGLES: $\pm 0^{\circ}30'$			
.X ( $\pm 0.015$ )			
.XX ( $\pm 0.010$ )			
.XXX ( $\pm 0.005$ )			
DIMENSIONS PER ANSI Y14.5			
 The Right Connector <sup>SM</sup>	<b>Dixon Brass</b> Westmont, Illinois USA		DRAWN P. MONAGHAN APPROVED DATE 4/28/15
	TITLE: REUSABLE MALE STEM		ECO NO. DRAWING NOT REPRODUCED TO SCALE DATE
SIZE <b>A</b>	DWG. NO. 1820806S	REV B	