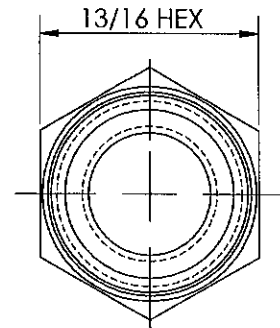
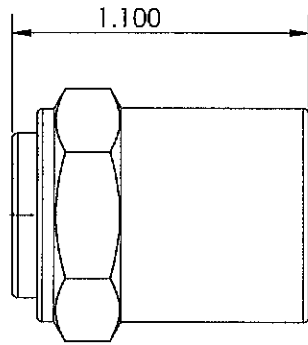
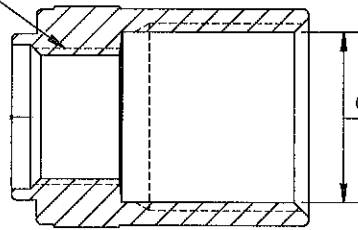


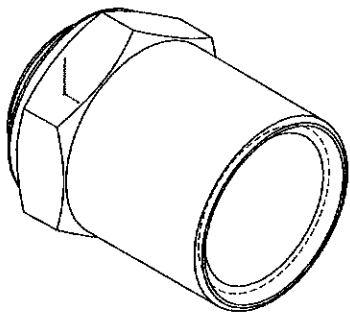
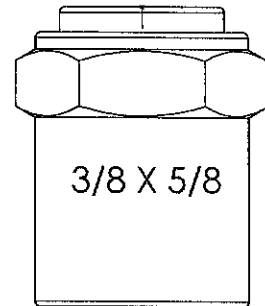
LINE DRAWING NOT FOR PRODUCTION PURPOSES




1/2 -20 UNF-2B
HOSE I.D. 3/8

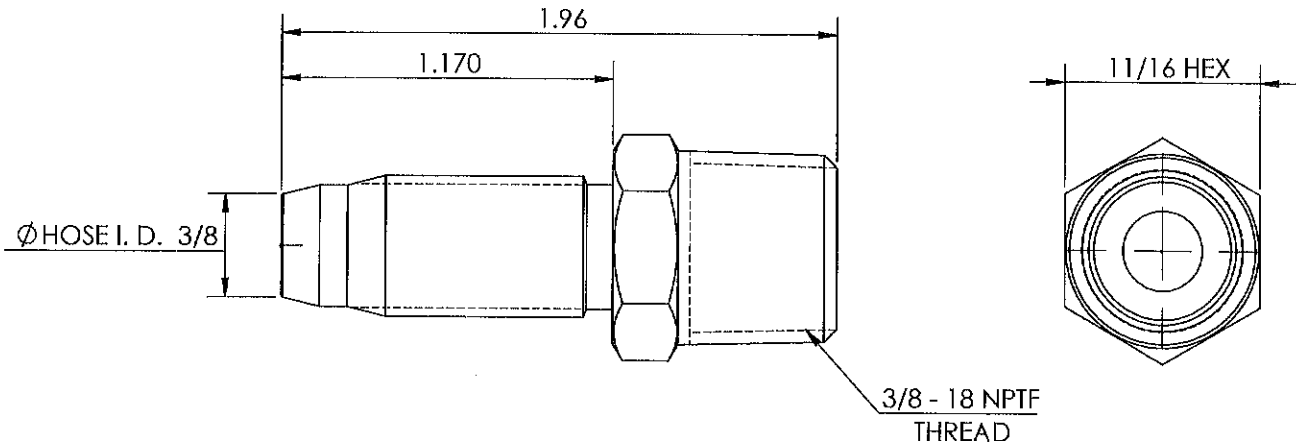


Ø HOSE O. D. 5/8

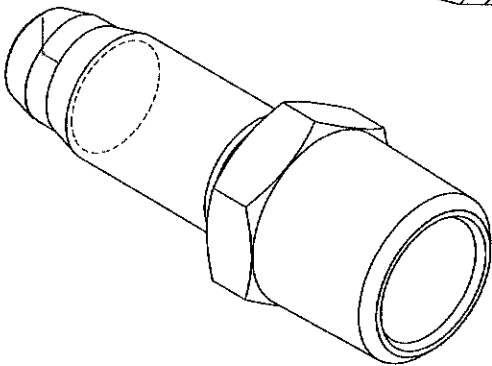
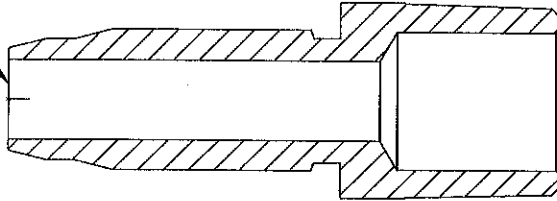



THIS DRAWING CONTAINS INFORMATION DEEMED PROPRIETARY TO DIXON BRASS AND IS TO BE USED ONLY FOR THE PURPOSE FOR WHICH IT IS SUBMITTED, AND FURTHER, SHALL NOT BE COPIED IN WHOLE OR IN PART WITHOUT EXPRESS WRITTEN PERMISSION FIRST OBTAINED FROM DIXON BRASS.				
UNLESS OTHERWISE SPECIFIED:		 Dixon Brass Westmont, Illinois USA	DRAWN P. MONAGHAN	DATE 4/17/15
DIMENSIONS ARE IN INCHES			APPROVED	DATE
TOLERANCES: ANGLES: ±0°30' .X (±.015) .XX (±.010) .XXX (±.005)		ECO NO.		
DIMENSIONS PER ANSI Y14.5		DRAWING NOT REPRODUCED TO SCALE		
TITLE: REUSABLE FERRULE		SIZE A	DWG. NO. 1800610F	REV B

LINE DRAWING NOT FOR PRODUCTION PURPOSES



THRU HOLE DIA. .281



THIS DRAWING CONTAINS INFORMATION DEEMED PROPRIETARY TO DIXON BRASS AND IS TO BE USED ONLY FOR THE PURPOSE FOR WHICH IT IS SUBMITTED, AND FURTHER, SHALL NOT BE COPIED IN WHOLE OR IN PART WITHOUT EXPRESS WRITTEN PERMISSION FIRST OBTAINED FROM DIXON BRASS.				
UNLESS OTHERWISE SPECIFIED:				
DIMENSIONS ARE IN INCHES		 Dixon Brass Westmont, Illinois USA	DRAWN P. MONAGHAN APPROVED	DATE 4/28/15 DATE
TOLERANCES: ANGLES: $\pm 0^{\circ}30'$.X ($\pm .015$) .XX ($\pm .010$) .XXX ($\pm .005$) DIMENSIONS PER ANSI Y14.6			ECO NO.	DRAWING NOT REPRODUCED TO SCALE
TITLE:		REUSABLE MALE STEM	SIZE A	DWG. NO. 1820606S
			REV D	