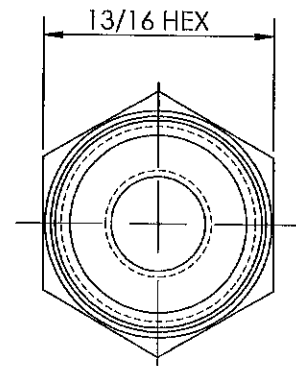
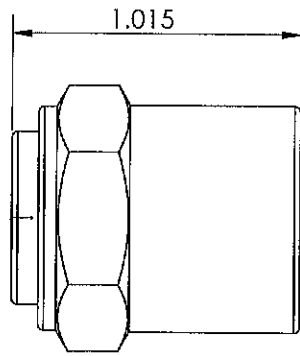
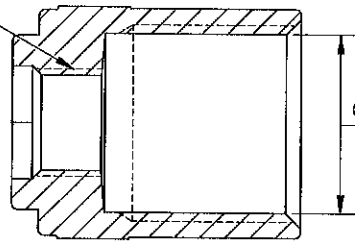


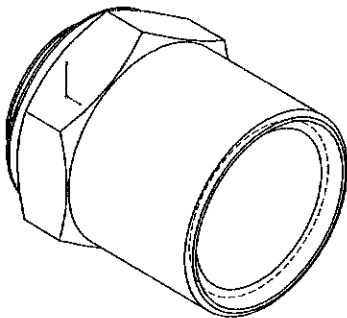
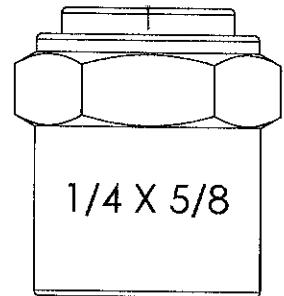
LINE DRAWING NOT FOR PRODUCTION PURPOSES




3/8 - 24 UNF-2B  
HOSE I.D. 1/4

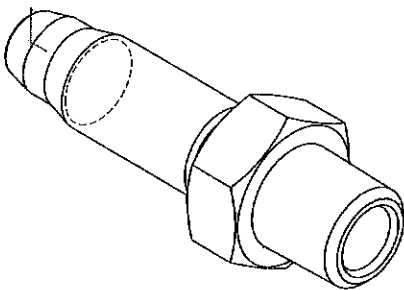
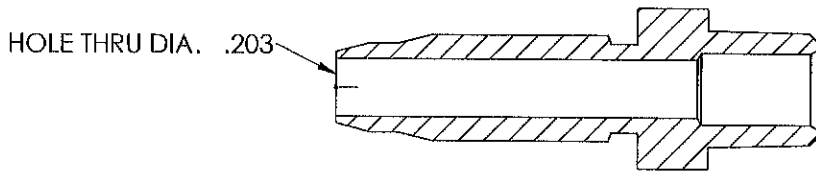
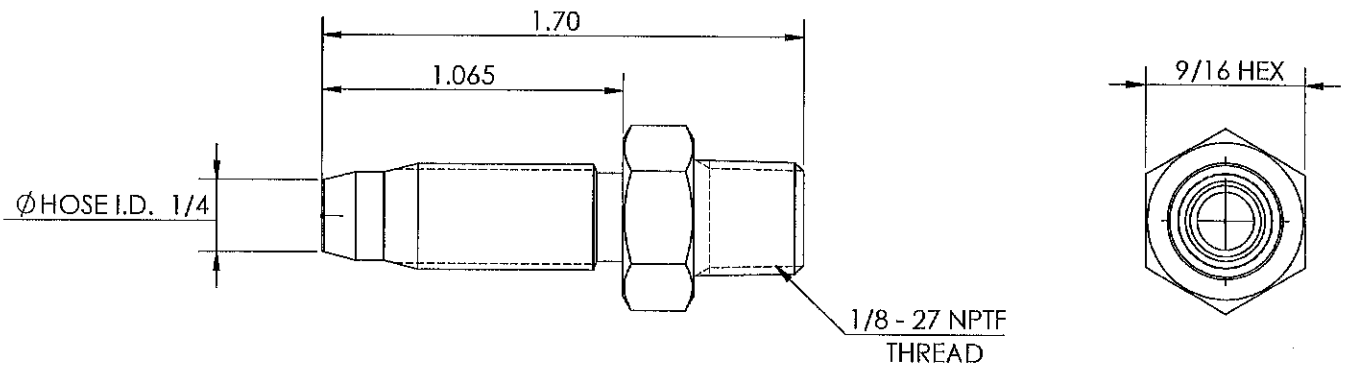



Ø HOSE O.D. 5/8



THIS DRAWING CONTAINS INFORMATION DEEMED PROPRIETARY TO DIXON BRASS AND IS SO TO BE USED ONLY FOR THE PURPOSE FOR WHICH IT IS SUBMITTED, AND FURTHER, SHALL NOT BE COPIED IN WHOLE OR IN PART WITHOUT EXPRESS WRITTEN PERMISSION FIRST OBTAINED FROM DIXON BRASS.			
UNLESS OTHERWISE SPECIFIED:			
DIMENSIONS ARE IN INCHES			<b>Dixon Brass</b> Westmont, Illinois USA
TOLERANCES: ANGLES: ±0°30' .X (±.015) .XX (±.010) .XXX (±.005)			
DIMENSIONS PER ANSI Y14.5		DRAWING NOT REPRODUCED TO SCALE	
TITLE: REUSABLE FERRULE		SIZE <b>A</b>	DWG. NO. 1800410F
			REV B

LINE DRAWING NOT FOR PRODUCTION PURPOSES



THIS DRAWING CONTAINS INFORMATION DEEMED PROPRIETARY TO DIXON BRASS AND IS TO BE USED ONLY FOR THE PURPOSE FOR WHICH IT IS SUBMITTED, AND FURTHER, SHALL NOT BE COPIED IN WHOLE OR IN PART WITHOUT EXPRESS WRITTEN PERMISSION FIRST OBTAINED FROM DIXON BRASS.				
UNLESS OTHERWISE SPECIFIED:				
DIMENSIONS ARE IN INCHES		 <b>Dixon Brass</b> Westmont, Illinois USA	DRAWN P. MONAGHAN	DATE 4/27/15
TOLERANCES: ANGLES: ±D°30' .X (±.015) .XX (±.010) .XXX (±.005)			APPROVED	DATE
DIMENSIONS PER ANSI Y14.5		TITLE: <b>REUSABLE MALE STEM</b>	ECO NO.	DRAWING NOT REPRODUCED TO SCALE
SIZE <b>A</b>	DWG. NO. <b>1820402S</b>	REV <b>E</b>		