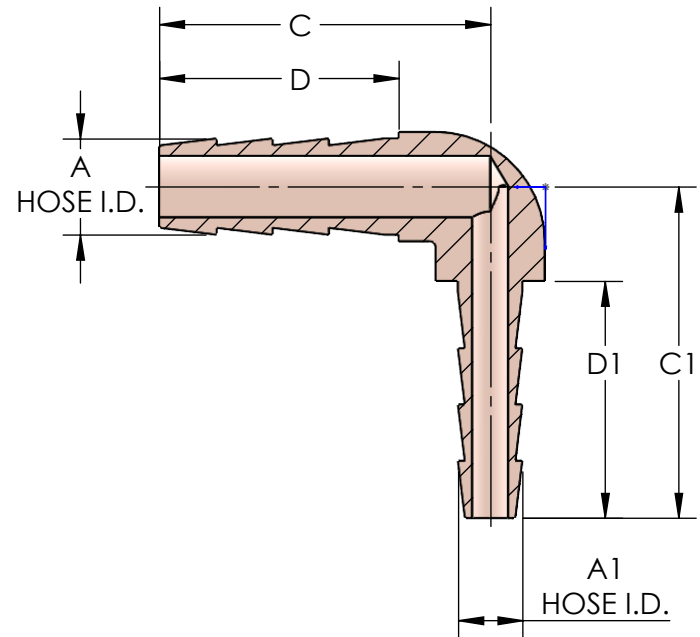



LINE DRAWING, NOT FOR PRODUCTION PURPOSES.

MATERIAL: C3604 FORGED BRASS ALLOY

PART NUMBER	A HOSE I.D.	A1 HOSE I.D.	C	C1	D	D1
1770202C	1/8	1/8	0.80	0.80	.46	.46
1770303C	3/16	3/16	1.13	1.13	.79	.79
1770402C	1/4	1/8	1.15	0.80	.79	.46
1770404C	1/4	1/4	1.15	1.15	.79	.79
1770505C	5/16	5/16	1.20	1.20	.79	.79
1770604C	3/8	1/4	1.26	1.19	.79	.79
1770606C	3/8	3/8	1.26	1.26	.79	.79
1770806C	1/2	3/8	1.34	1.20	.79	.87
1770808C	1/2	1/2	1.35	1.35	.87	.87
1771010C	5/8	5/8	1.37	1.37	.87	.87
1771208C	3/4	1/2	1.48	1.45	.89	.87



This drawing is owned by Dixon Valve & Coupling Co. and shall be returned upon demand. It is loaned on condition that it shall not be copied or reproduced or submitted to others without the owners consent. In accepting it, subject to this condition, the recipient further agrees that this drawing or any design detail or concept disclosed herein shall not be used in any way detrimental to or in competition with the owner. If the recipient does not agree to the terms of this agreement they shall return this drawing immediately. The information contained in this drawing is subject to change without notice.

 The Right Connection™	Dixon Brass Westmont, Illinois USA		DRAWN P. MONAGHAN	DATE 6/23/20
			APPROVED	DATE 6/23/20
	ECO NO.		DO NOT SCALE THIS DRAWING	
TITLE: HOSE BARB 90° ELBOW SPLICER			SIZE A	DWG. NO. 177 SERIES
			REV A	