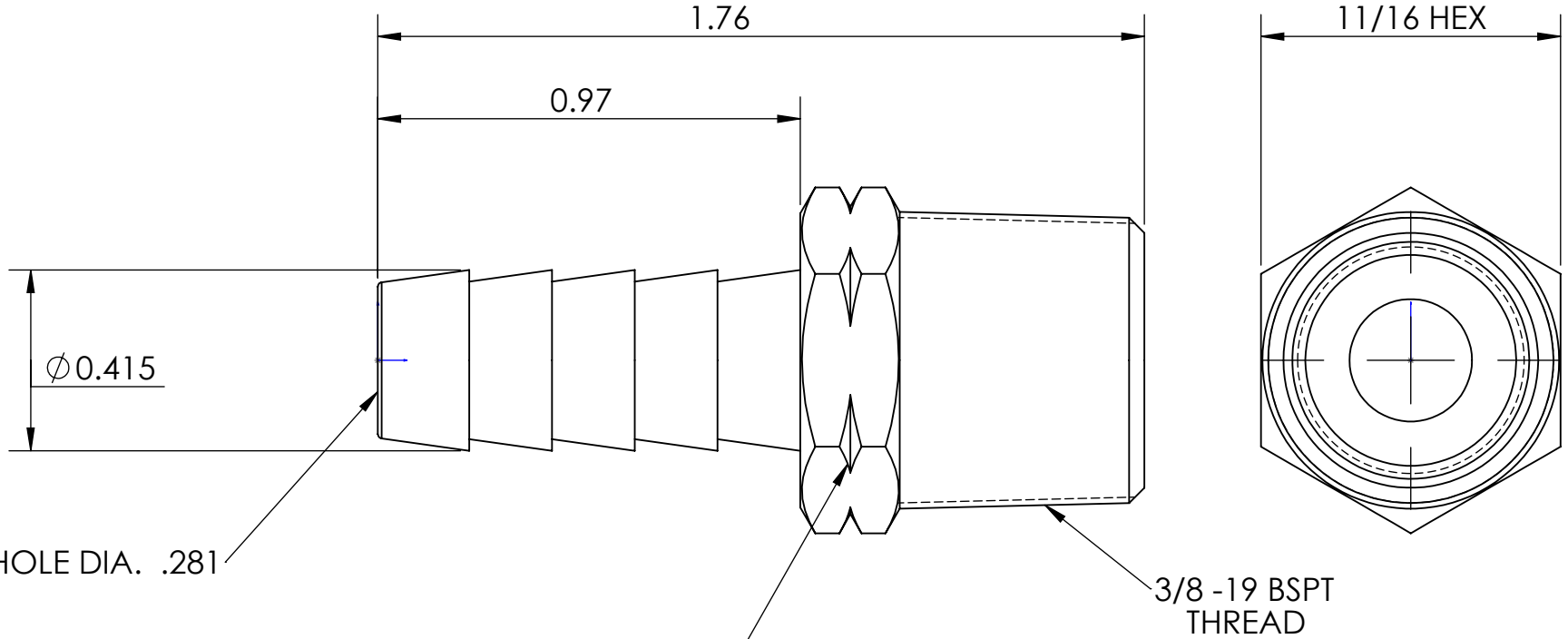
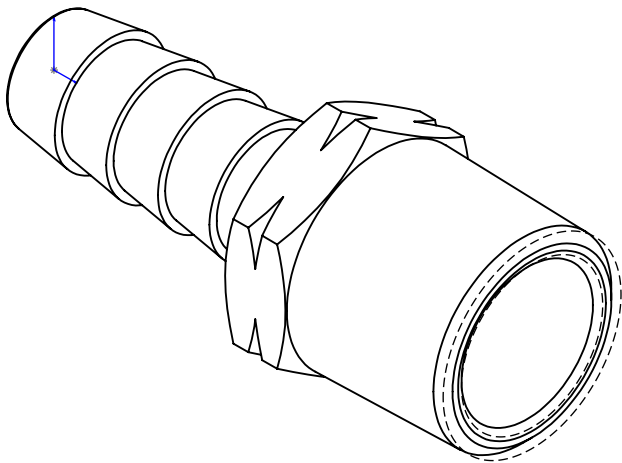



LINE DRAWING NOT FOR PRODUCTION PURPOSES



THRU HOLE DIA. .281

V NOTCH DENOTES BSPT HREAD



THIS DRAWING CONTAINS INFORMATION DEEMED PROPRIETARY TO DIXON BRASS AND IS SO TO BE USED ONLY FOR THE PURPOSE FOR WHICH IT IS SUBMITTED, AND FURTHER, SHALL NOT BE COPIED IN WHOLE OR IN PART WITHOUT EXPRESS WRITTEN PERMISSION FIRST OBTAINED FROM DIXON BRASS.				
UNLESS OTHERWISE SPECIFIED:		 The Right Connection™	DRAWN P. MONAGHAN APPROVED	DATE 10/24/13 DATE
DIMENSIONS ARE IN INCHES TOLERANCES: ANGLES: ±0°30' .X (±.015) .XX (±.010) .XXX (±.005) DIMENSIONS PER ANSI Y14.5			Dixon Brass Westmont, Illinois USA	ECO NO.
TITLE: 3/8 MALE HOSE BARB X 3/8 - 19 BSPT		DRAWING NOT REPRODUCED TO SCALE		
SIZE A		DWG. NO. 1020606BSPT	REV E	