

2014
NEW

Butterfly Valve Automation

Butterfly Valve with Stainless Steel Vertical Spring Return Actuation

Features:

- silicone and FKM elastomers also available
- other end configurations are available
- contact Dixon for more information

Butterfly Valve with EPDM seats and a vertical spring return normally *closed* pneumatic canister style actuator

Valve Size	Style B5101 Part #	Price/E	Style B5102 Part #	Price/E	Style B5104 Part #	Price/E
½"	B5101E050CC-G	\$812.50	---	---	---	---
¾"	B5101E075CC-G	812.50	---	---	---	---
1"	B5101E100CC-G	812.50	B5102E100-G	\$656.80	B5104E100CC-G	\$722.20
1½"	B5101E150CC-G	806.15	B5102E150-G	644.20	B5104E150CC-G	740.75
2"	B5101E200CC-G	862.30	B5102E200-G	685.35	B5104E200CC-G	758.00
2½"	B5101E250CC-G	930.95	B5102E250-G	709.65	B5104E250CC-G	818.25
3"	B5101E300CC-G	1064.00	B5102E300-G	771.35	B5104E300CC-G	915.80
4"	B5101E400CC-G	1346.75	B5102E400-G	885.15	B5104E400CC-G	988.50

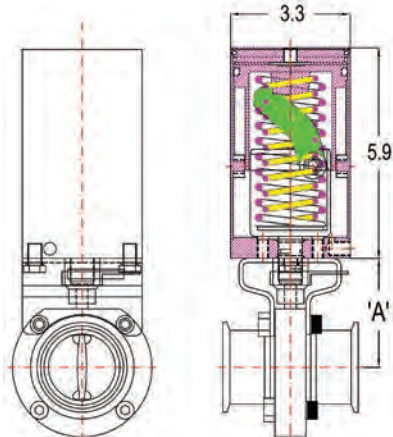
Butterfly Valve with EPDM seats and a vertical spring return normally *open* pneumatic canister style actuator

Valve Size	Style B5101 Part #	Price/E	Style B5102 Part #	Price/E	Style B5104 Part #	Price/E
½"	B5101E050CC-F	\$812.50	---	---	---	---
¾"	B5101E075CC-F	812.50	---	---	---	---
1"	B5101E100CC-F	812.50	B5102E100-F	\$656.80	B5104E100CC-F	\$722.20
1½"	B5101E150CC-F	806.15	B5102E150-F	644.20	B5104E150CC-F	740.75
2"	B5101E200CC-F	862.30	B5102E200-F	685.35	B5104E200CC-F	758.00
2½"	B5101E250CC-F	930.95	B5102E250-F	709.65	B5104E250CC-F	818.25
3"	B5101E300CC-F	1064.00	B5102E300-F	771.35	B5104E300CC-F	915.80
4"	B5101E400CC-F	1346.75	B5102E400-F	885.15	B5104E400CC-F	988.50

Butterfly Valve with EPDM seats and a vertical double acting pneumatic canister style actuator

Valve Size	Style B5101 Part #	Price/E	Style B5102 Part #	Price/E	Style B5104 Part #	Price/E
½"	B5101E050CC-H	\$812.50	---	---	---	---
¾"	B5101E075CC-H	812.50	---	---	---	---
1"	B5101E100CC-H	812.50	B5102E100-H	\$656.80	B5104E100CC-H	\$722.20
1½"	B5101E150CC-H	806.15	B5102E150-H	644.20	B5104E150CC-H	740.75
2"	B5101E200CC-H	862.30	B5102E200-H	685.35	B5104E200CC-H	758.00
2½"	B5101E250CC-H	930.95	B5102E250-H	709.65	B5104E250CC-H	818.25
3"	B5101E300CC-H	1064.00	B5102E300-H	771.35	B5104E300CC-H	915.80
4"	B5101E400CC-H	1346.75	B5102E400-H	885.15	B5104E400CC-H	988.50

Dimensions



Dimension 'A'

Valve Size	Valve Style		
	B5101	B5102	B5104
½" - 1"	2.7"	2.5"	3.1"
1½"	2.7"	2.5"	3.1"
2"	3.1"	2.9"	3.3"
2½"	3.5"	3.2"	3.6"
3"	3.7"	3.4"	3.9"
4"	4.5"	4.0"	4.8"

All dimensions are in inches, unless noted. Dimensions are approximate.

Engineering dimensions are available upon request. Specifications are subject to change without notice.